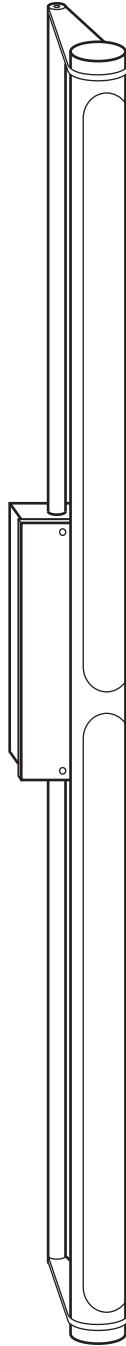


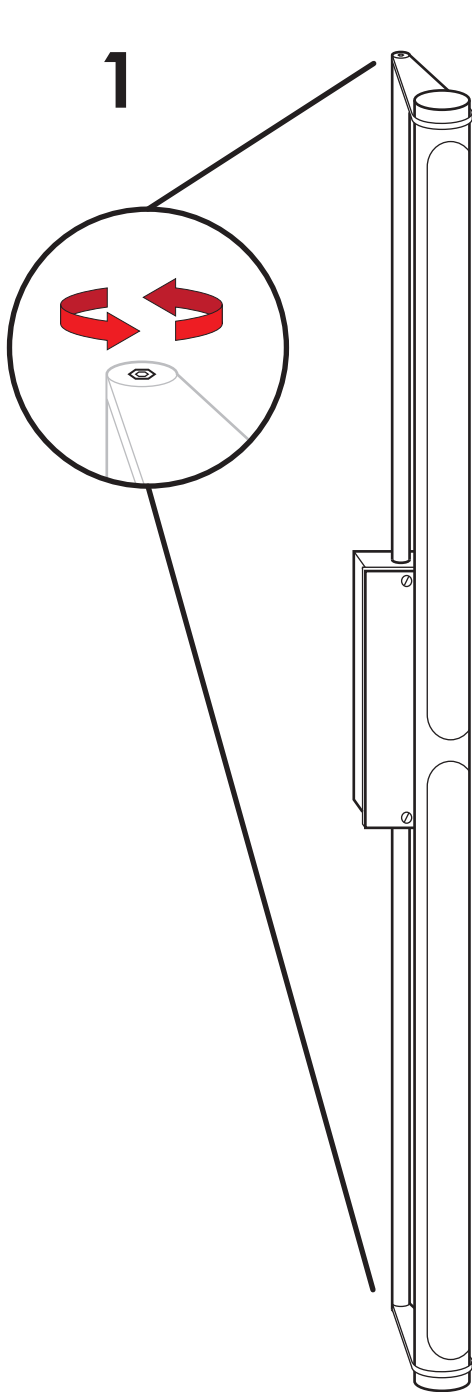
INSTALLATION INSTRUCTION

# Bloomsbury Wall Direct

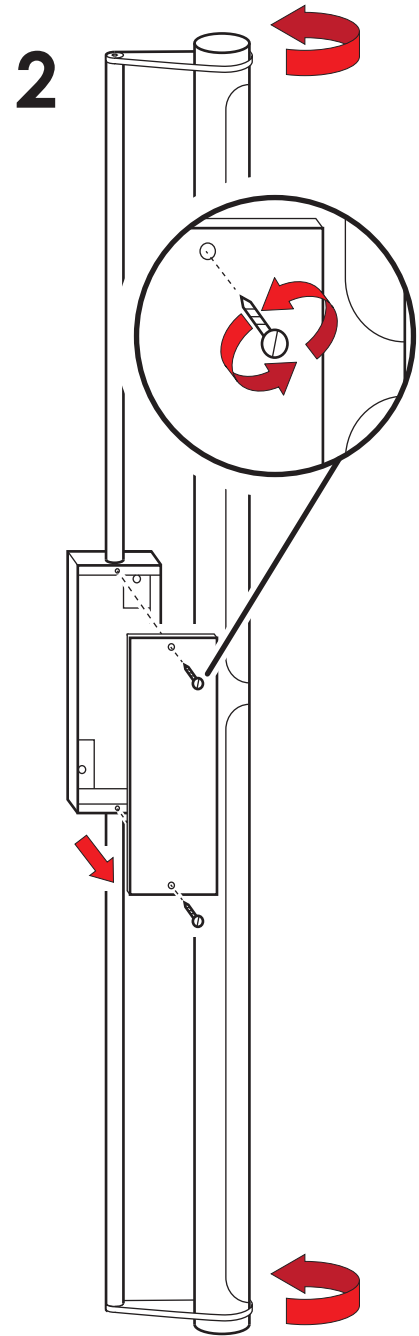


Rubn®

# INSTALLATION INSTRUCTION



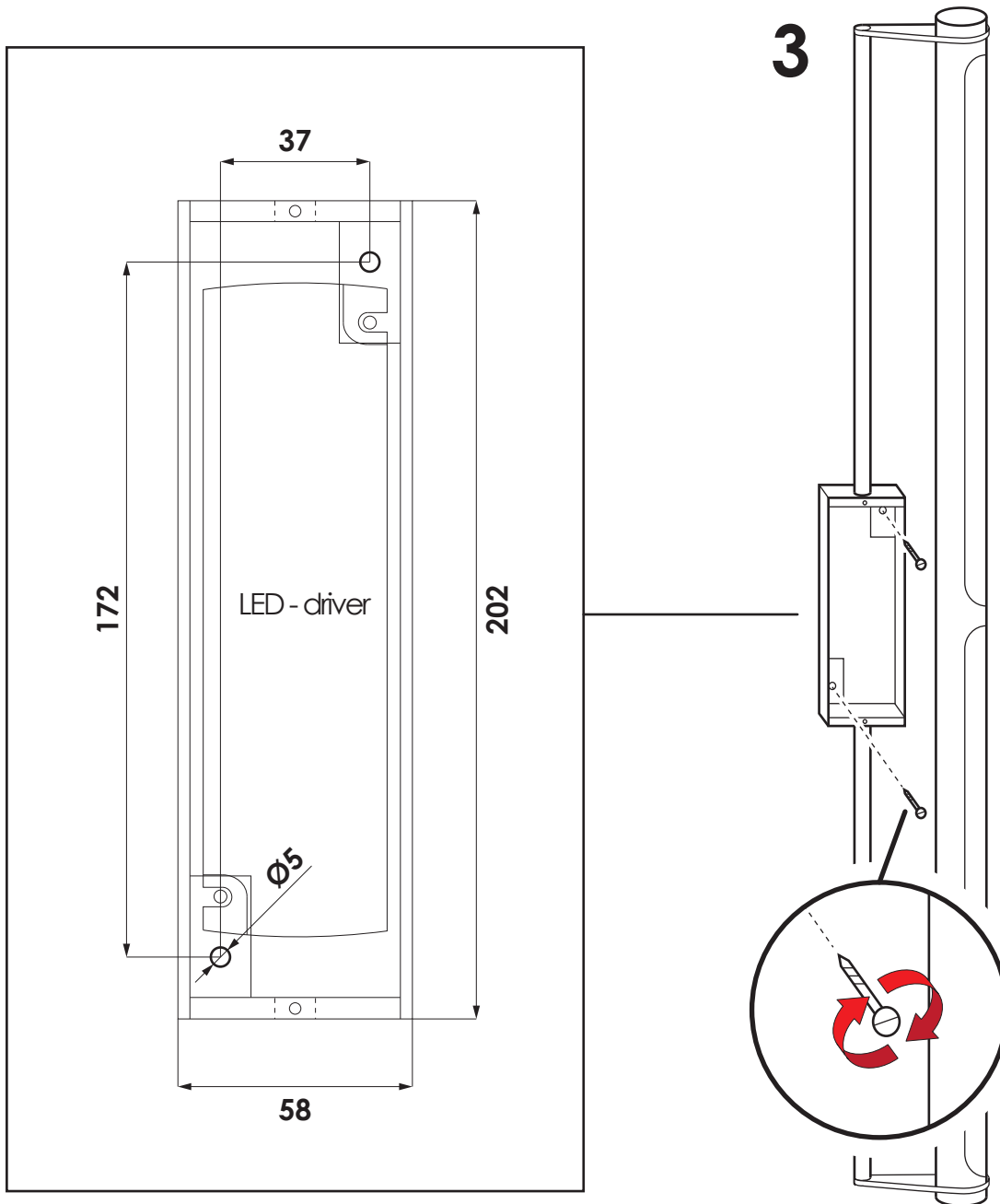
Slightly loosen screws  
to turn arms.



Remove plate.

Rubn®

# INSTALLATION INSTRUCTION

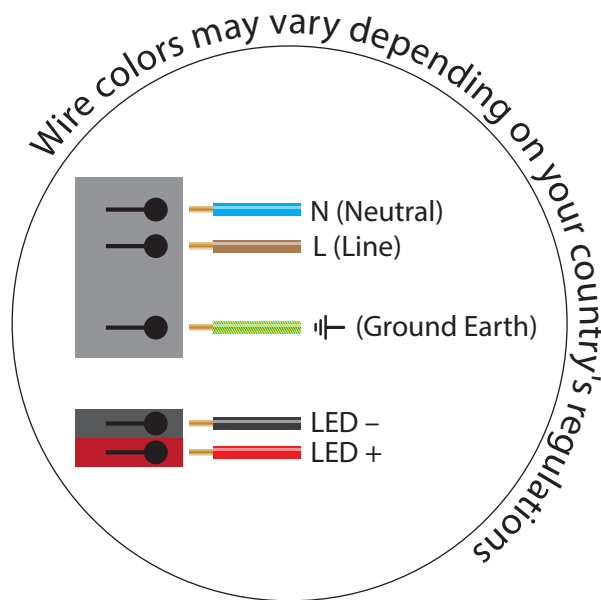


Mount on wall using 2 screws (not included).

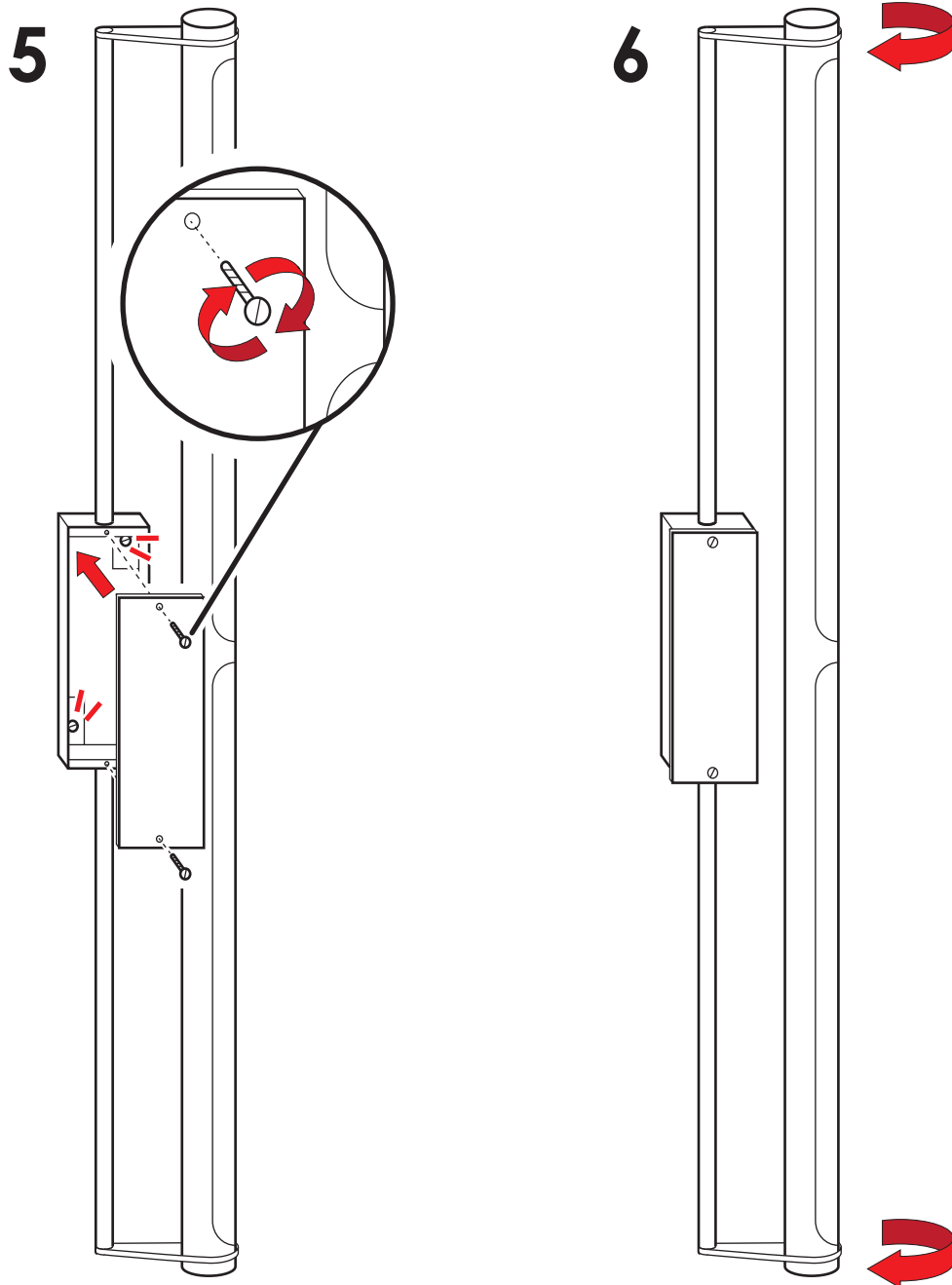
Rubn®

## INSTALLATION INSTRUCTION

- 4** Connect the cables from the wall to the LED-driver and the ground connection



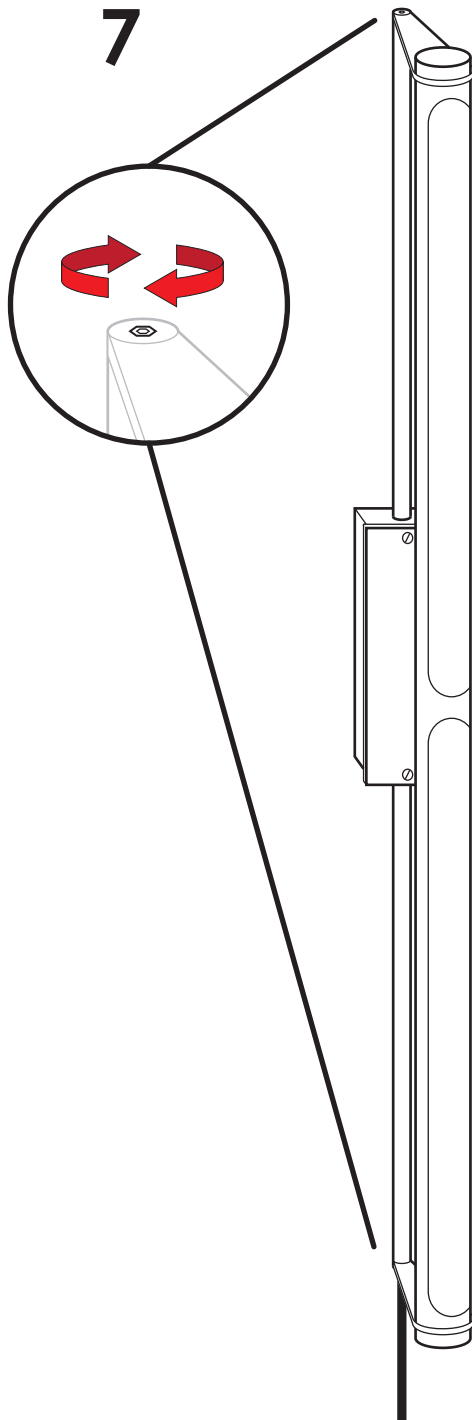
# INSTALLATION INSTRUCTION



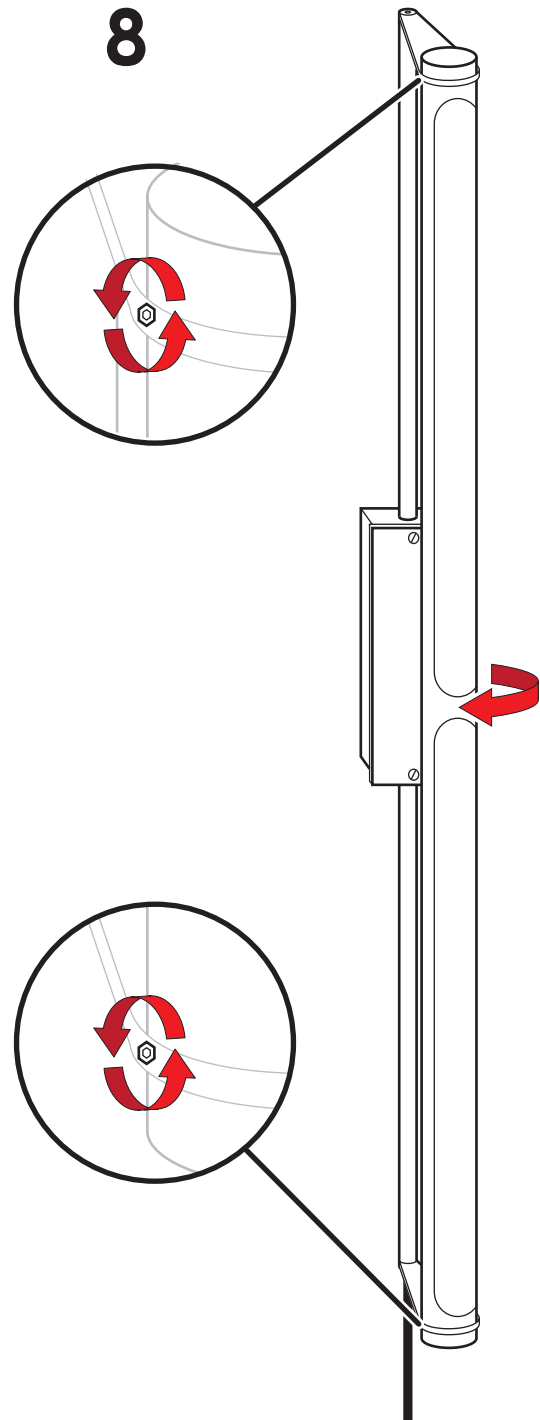
Reattach plate.

Rubn®

## INSTALLATION INSTRUCTION



Tighten screws back to secure arms.



Slightly loosen screws to adjust lamp and light direction by turning.

Rubn®