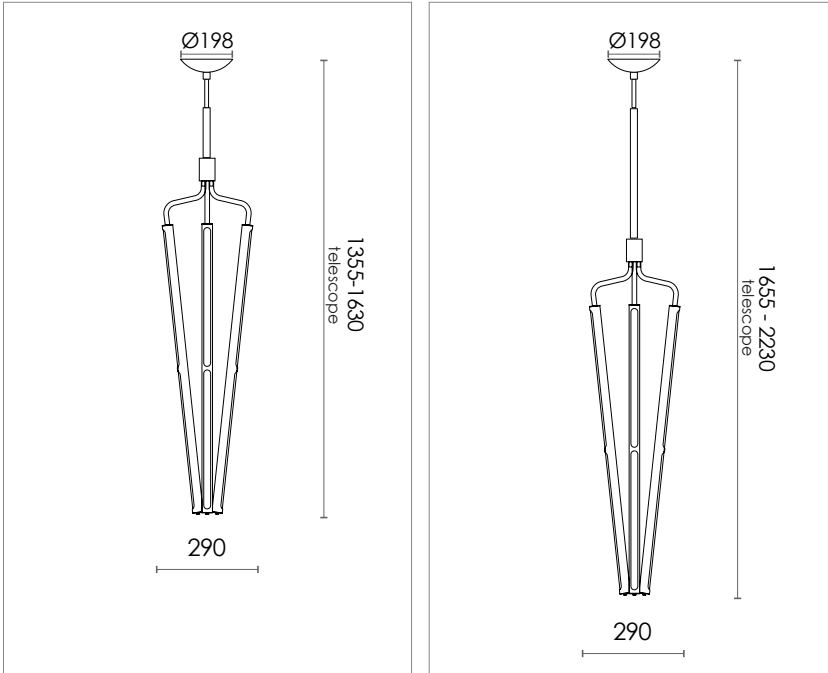


ARCHANGEL 3 815 CHANDELIER





DESIGN SPECIFICATIONS

DIMENSIONS (mm)	W 290 x H 1355-1630 W 290 x H 1655 - 2230
WEIGHT (kg)	5kg/6kg
MATERIALS	THE LAMP IS MADE FROM CLEAR LACQURED BRASS OR POWDER COATED STEEL.
CORD (mm)	NO
ENVIRONMENT	INDOOR
DESIGN BY	NICLAS HOFLIN
DESIGN YEAR	2023

ELECTRICAL SPECIFICATIONS

SWITCH	NO
LIGHT SOURCE	INTEGRATED LED 35 W - 2700 K
DIMMABLE	YES
MAX (W)	35 W
VOLTAGE	230 / 240
CLASS	2
IP	20

COLOURS

	BLACK H 1355-1630 ART.NO. 813108005	H 1655-2230 ART.NO. 813109005
	BRASS H 1355-1630 ART.NO. 813108001	H 1655-2230 ART.NO. 813109001