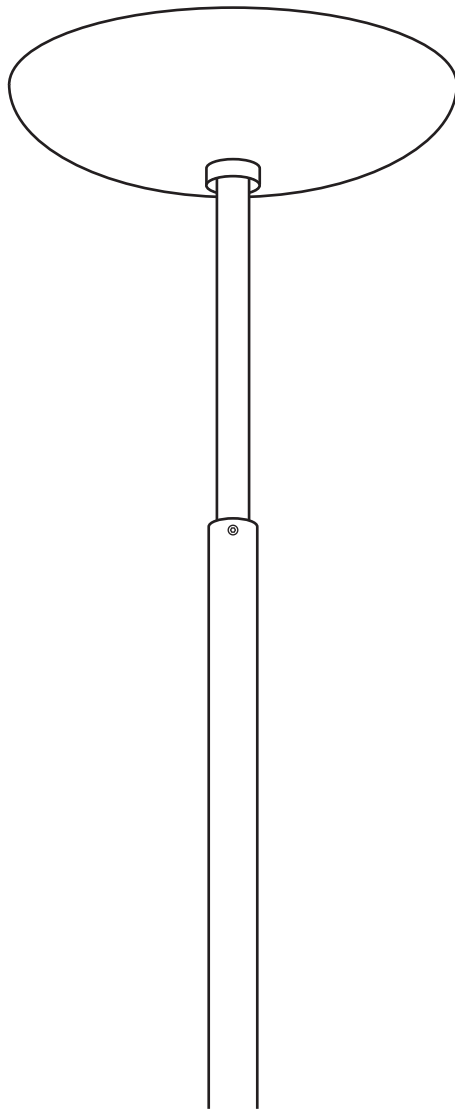


INSTALLATION INSTRUCTION

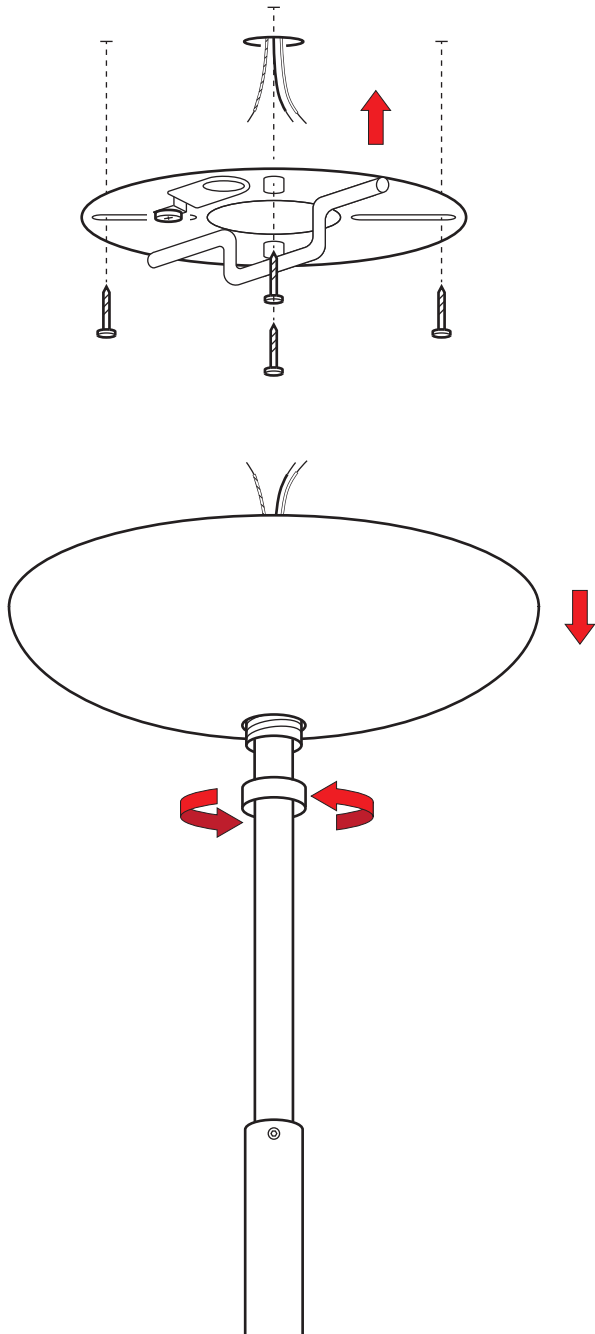
Telescope Ceiling Mount for Lord Diva



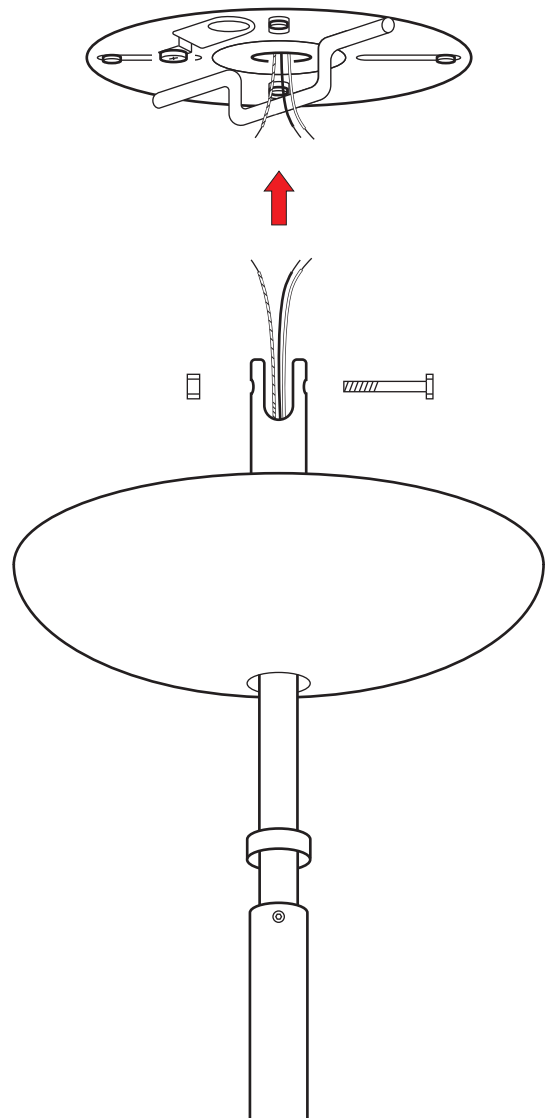
Rubn®

INSTALLATION INSTRUCTION

1



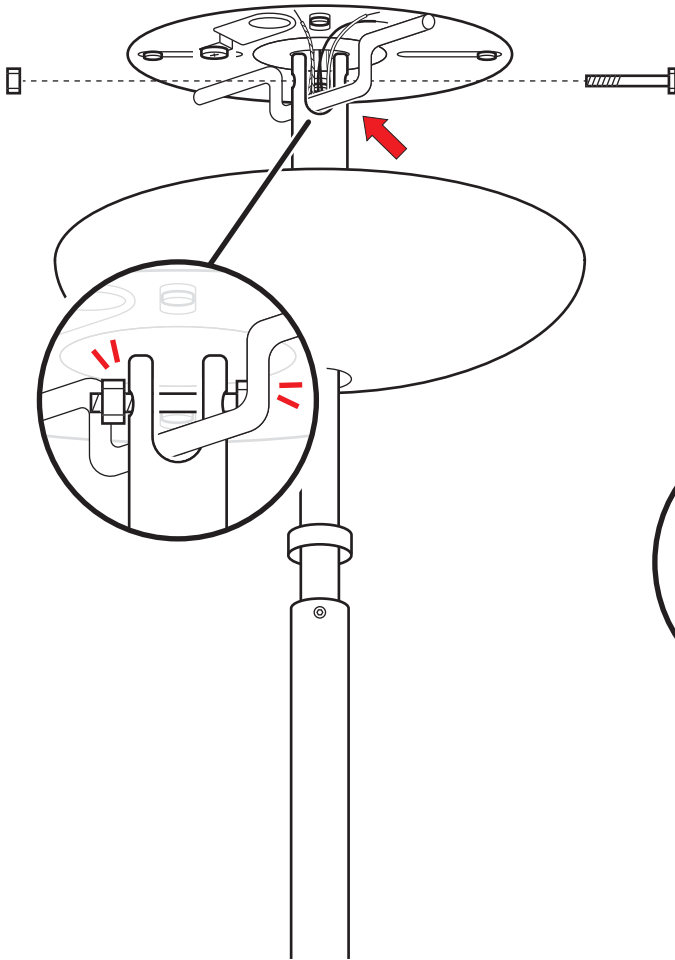
2



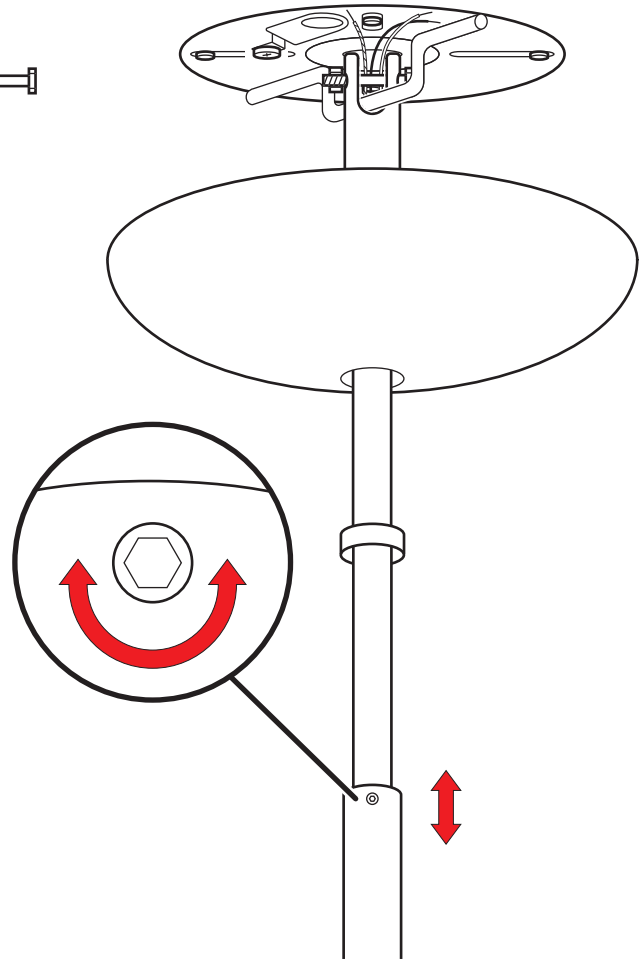
Rubn®

INSTALLATION INSTRUCTION

3



4



Adjust height of telescope.

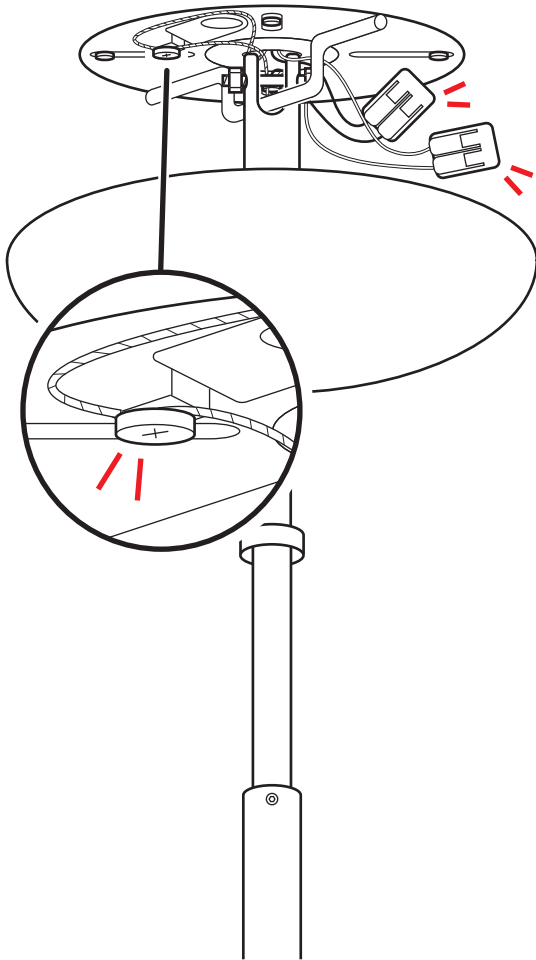


Keep a steady grip on the lamp when adjusting so it does not drop.

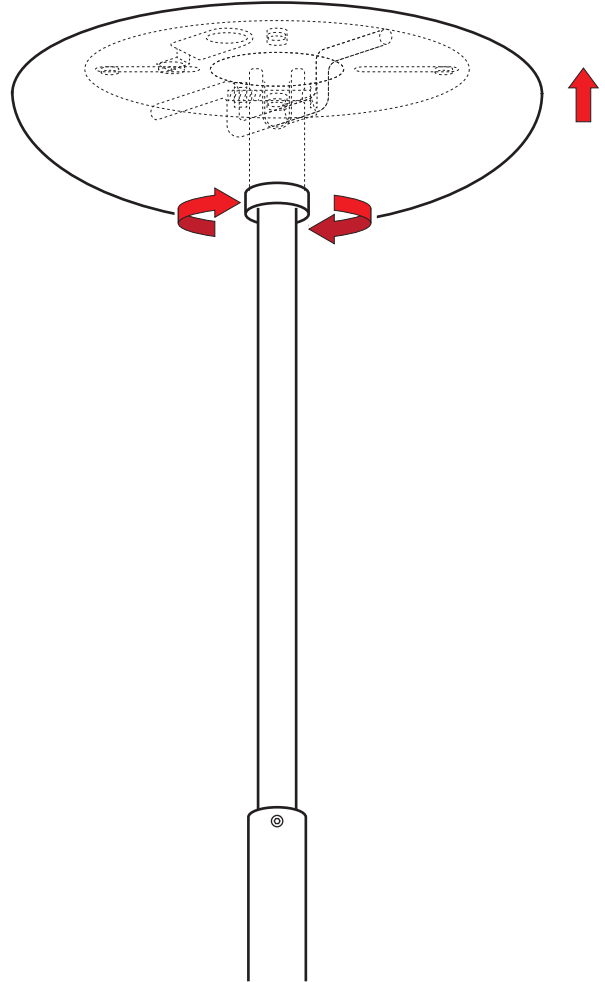
Rubn®

INSTALLATION INSTRUCTION

5



6



Connect wires correctly.
Connect ground wires to
ground on mount.

Rubn®