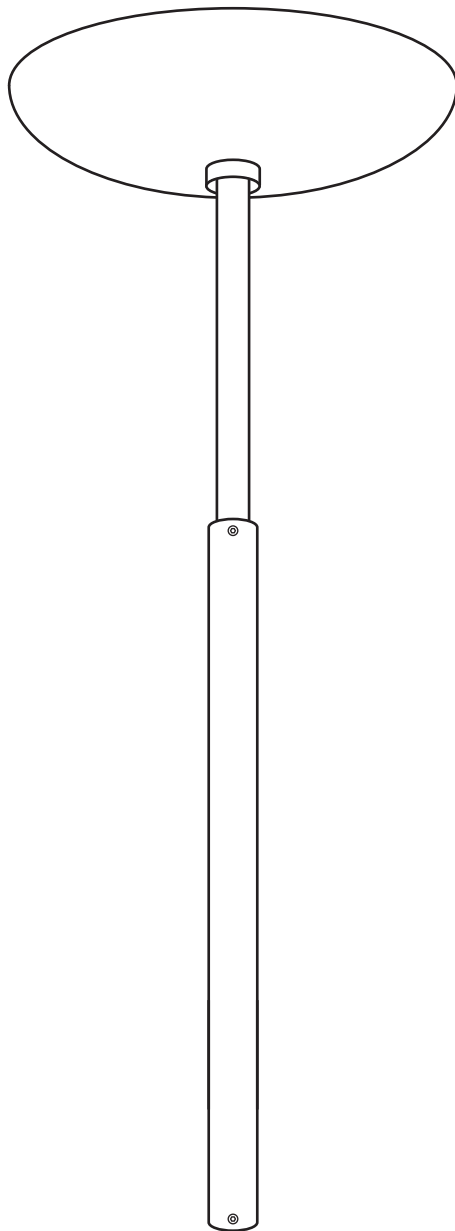


INSTALLATION INSTRUCTION

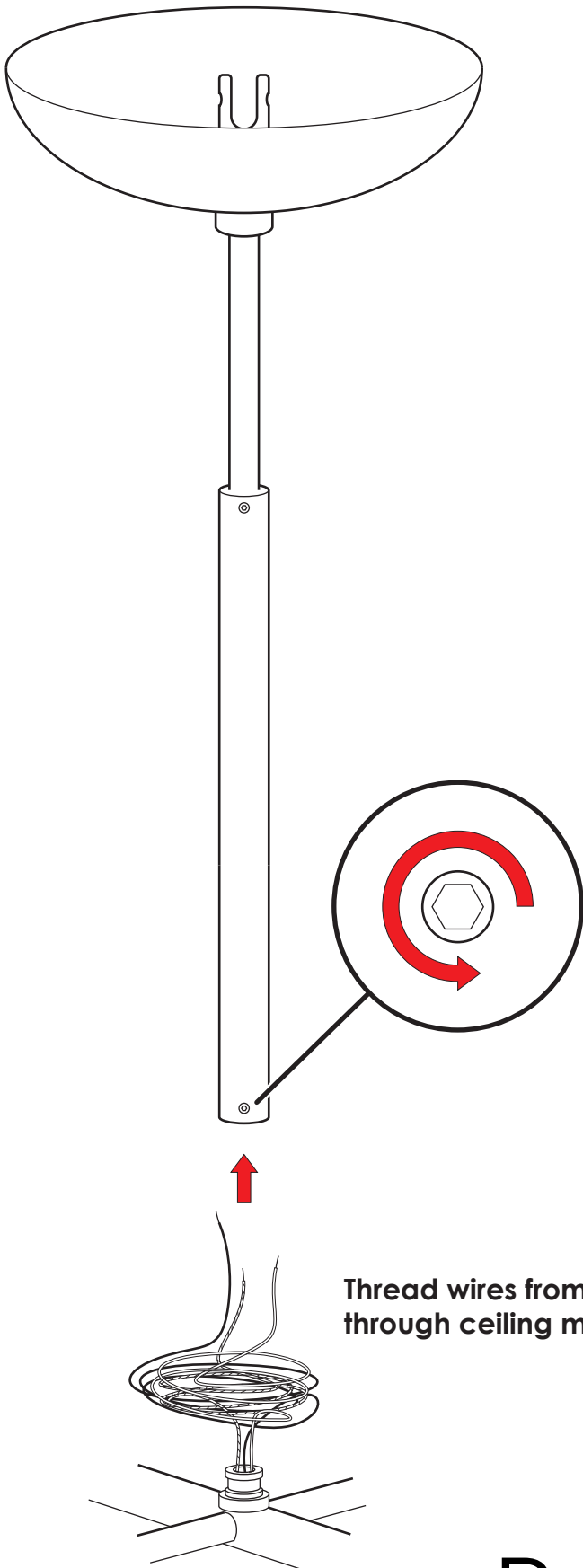
# Telescope Ceiling Mount for Lord Ballroom



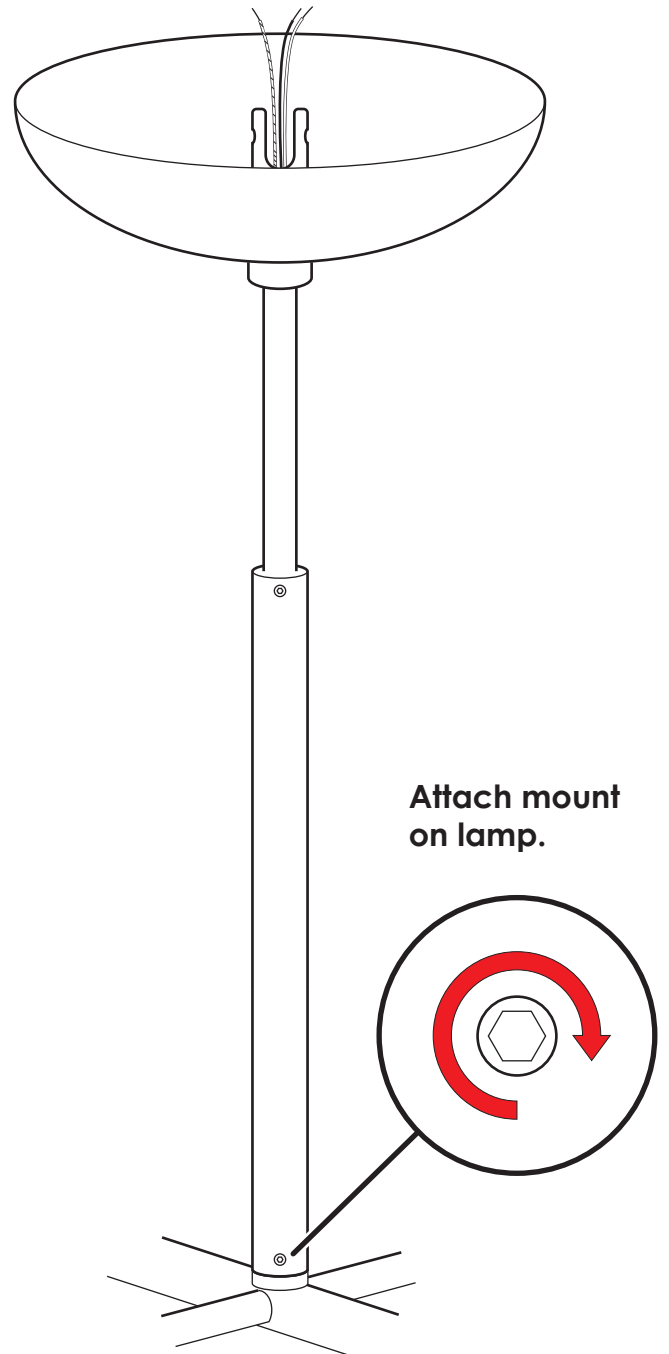
Rubn®

# INSTALLATION INSTRUCTION

1



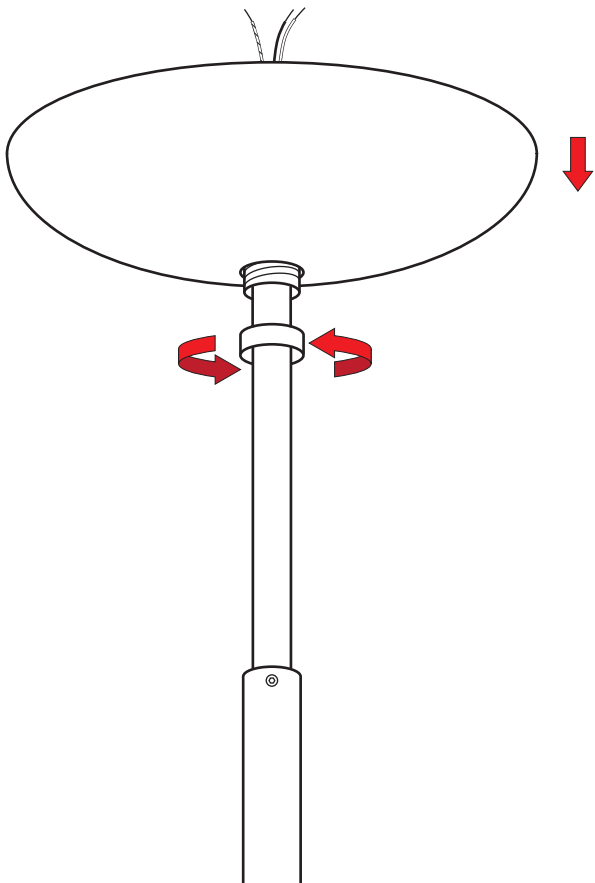
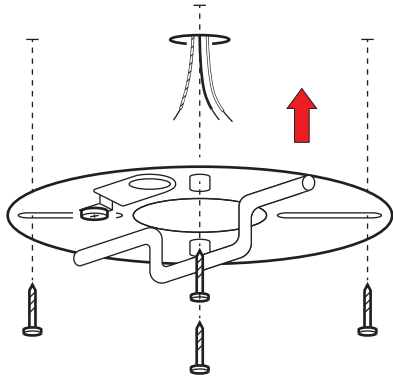
2



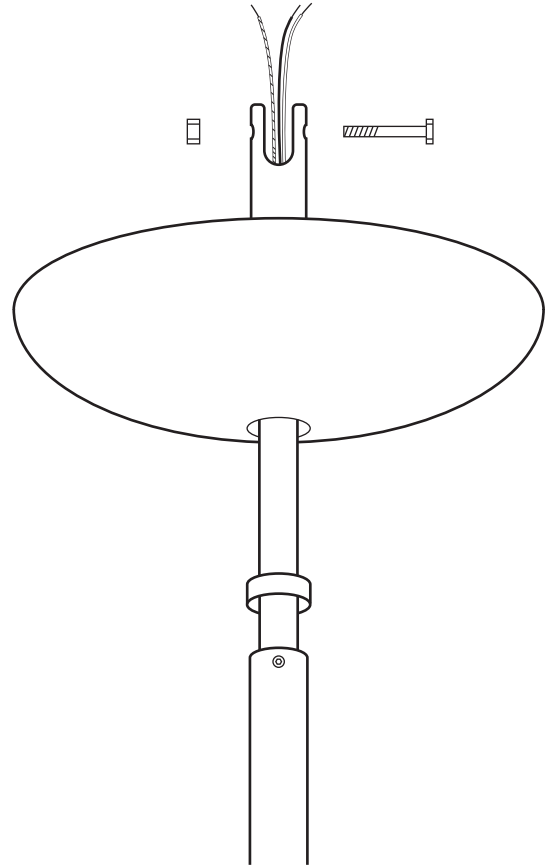
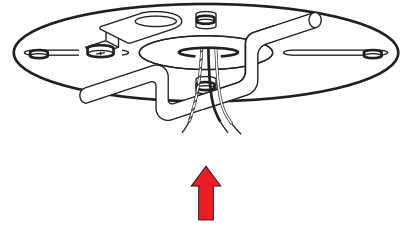
Rubn®

# INSTALLATION INSTRUCTION

3



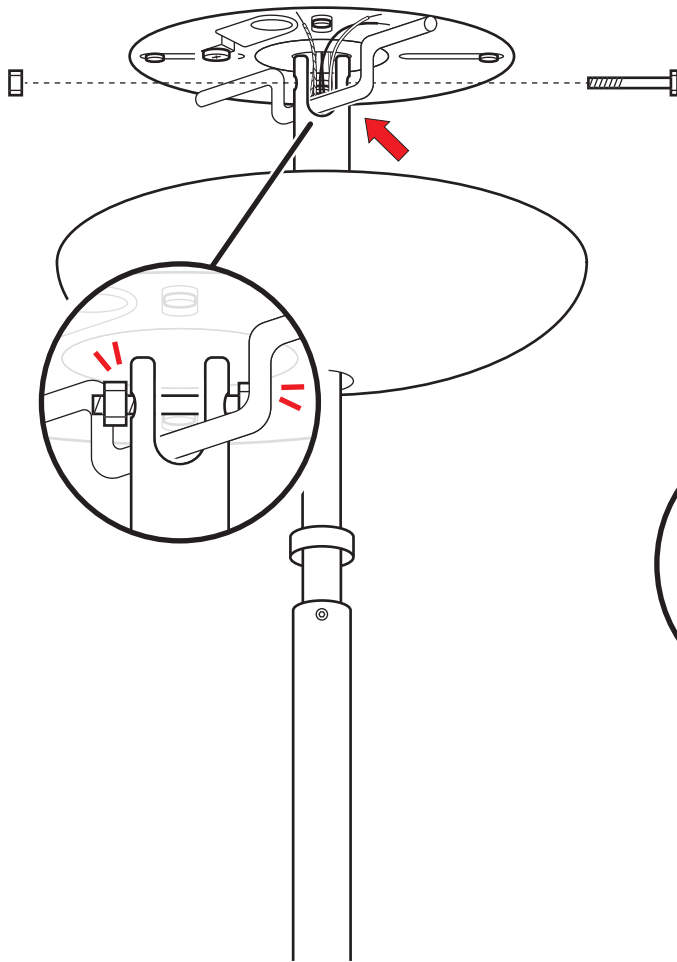
4



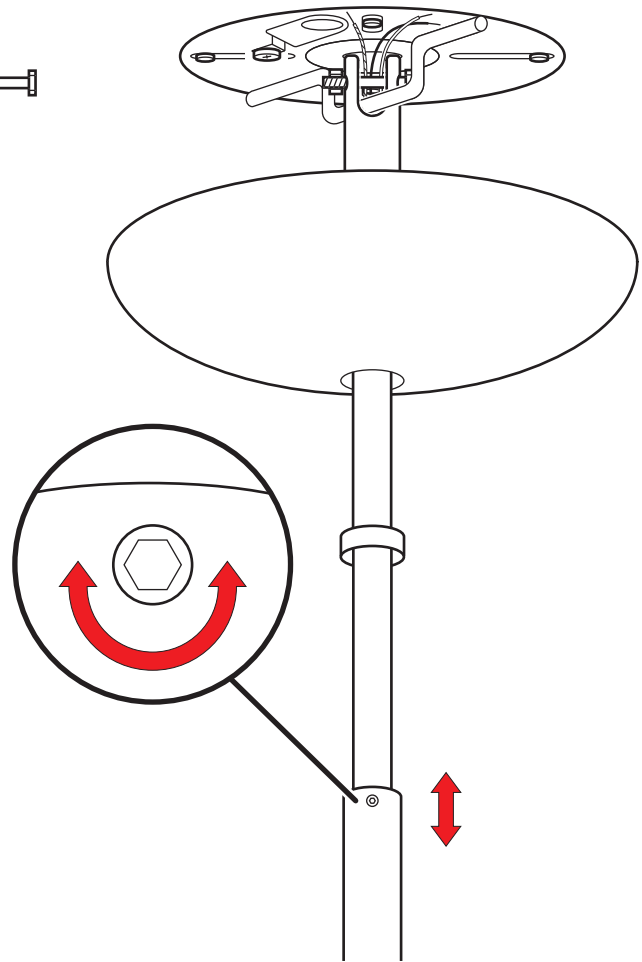
Rubn®

# INSTALLATION INSTRUCTION

5



6



Adjust height of telescope.

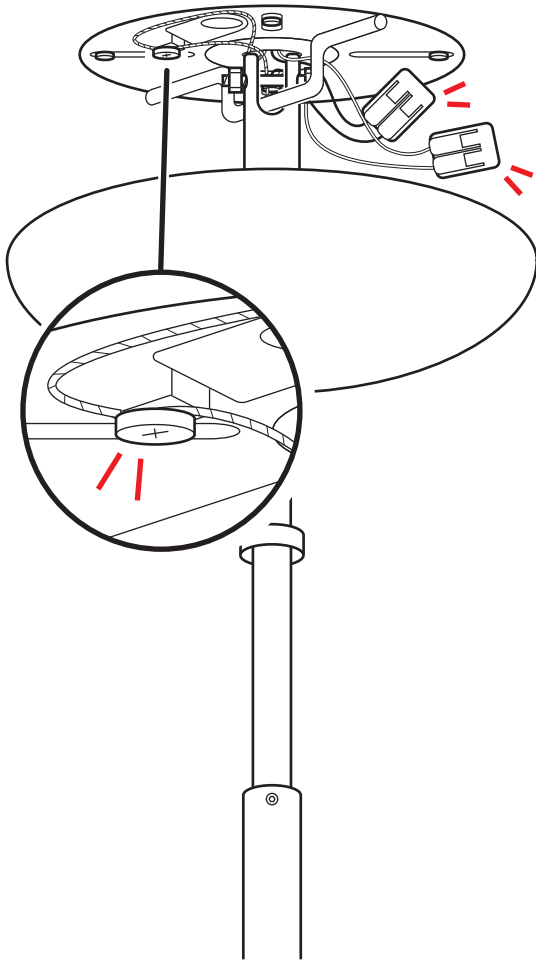


Keep a steady grip on the lamp when adjusting so it does not drop.

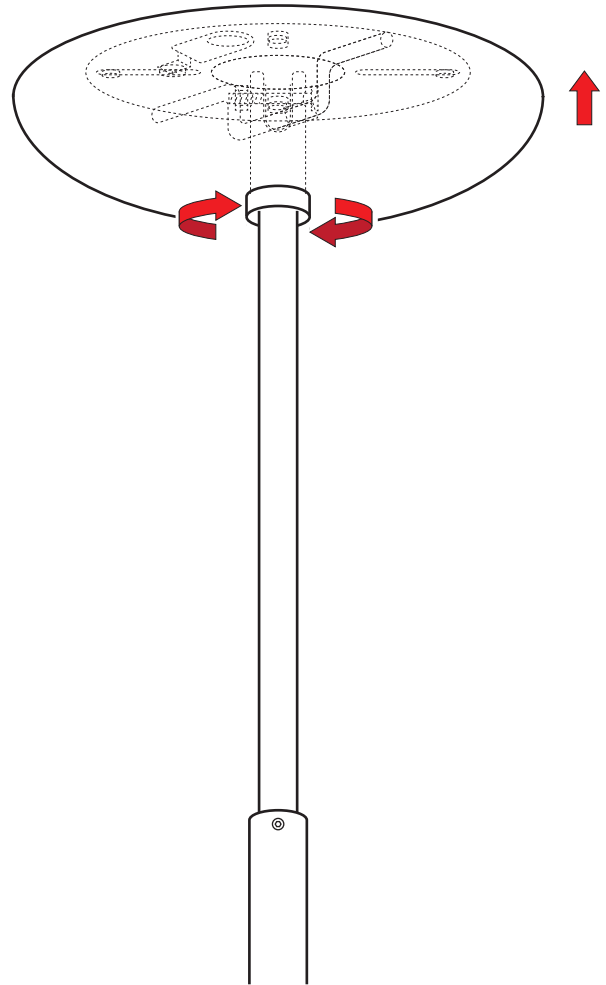
Rubn®

# INSTALLATION INSTRUCTION

8



9



Connect wires correctly.  
Connect ground wires to  
ground on mount.

Rubn®