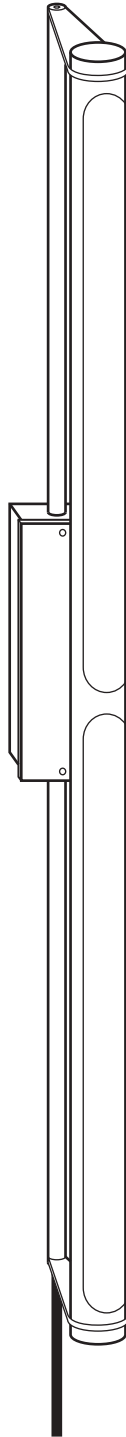


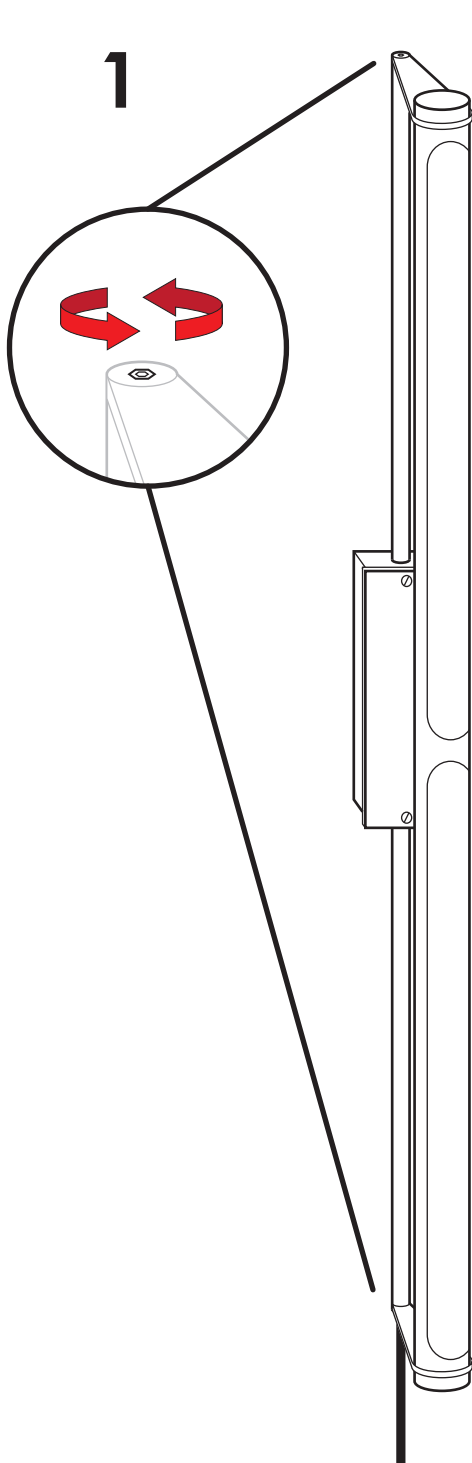
INSTALLATION INSTRUCTION

Bloomsbury Wall with Cable

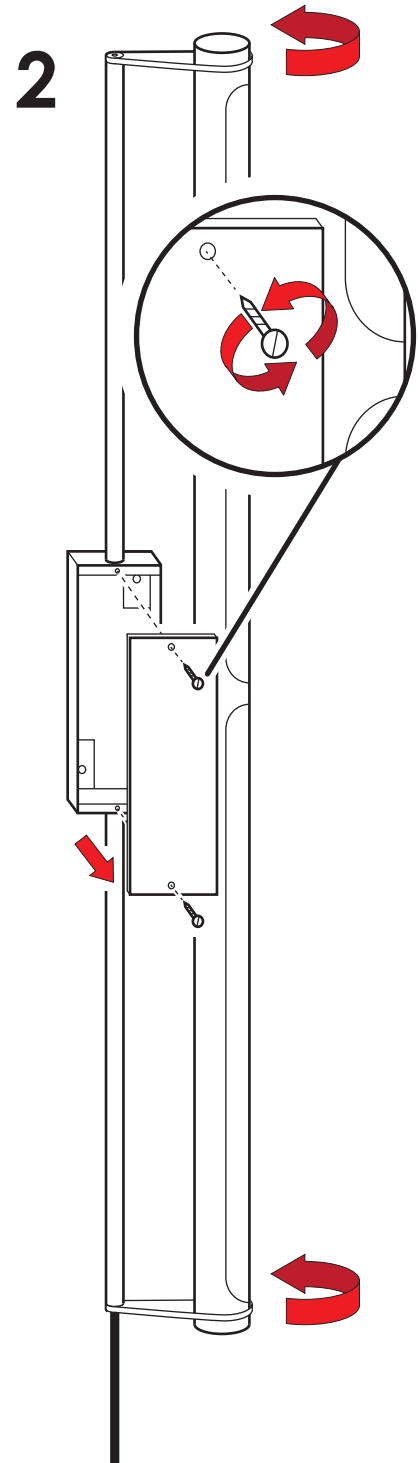


Rubn®

INSTALLATION INSTRUCTION



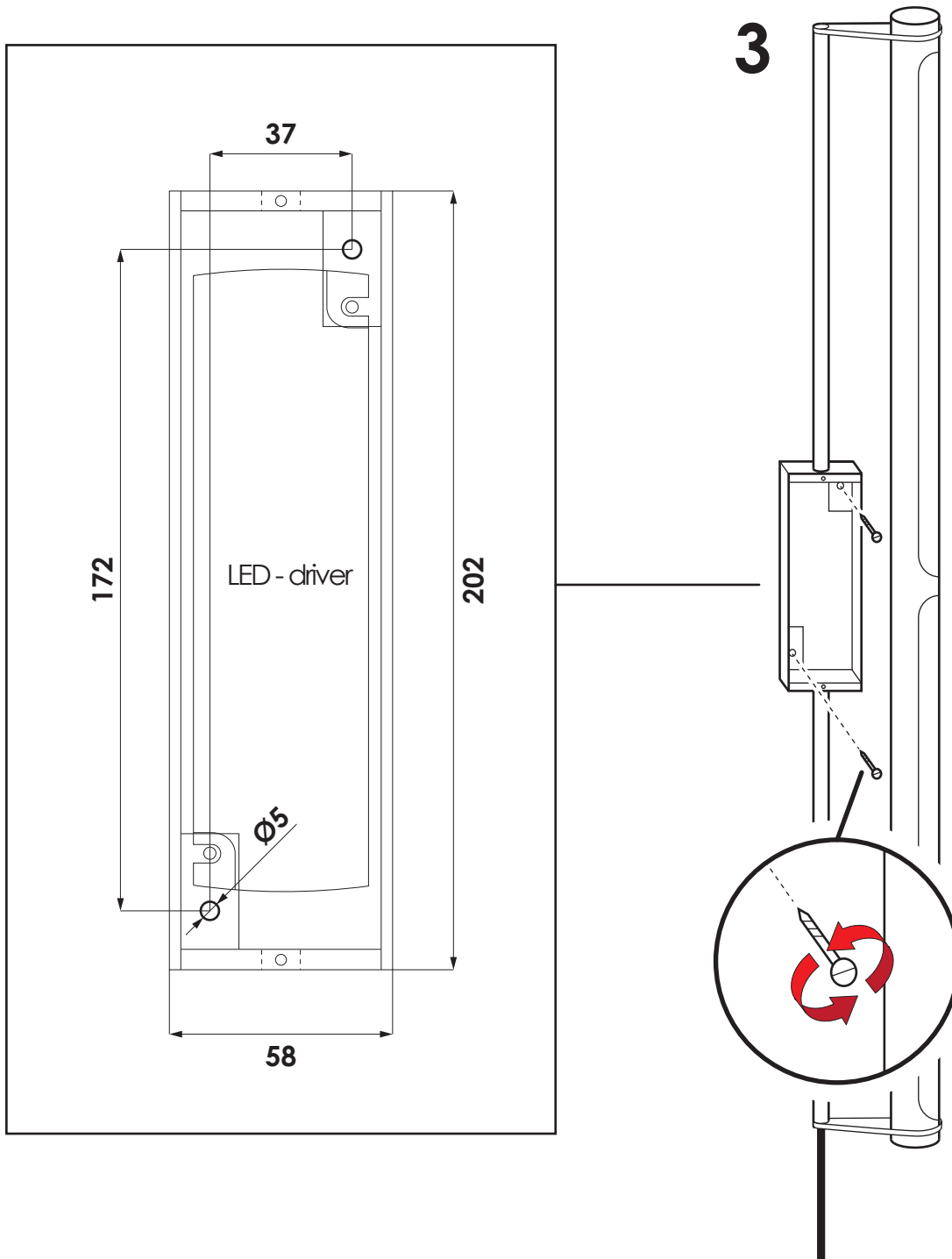
Slightly loosen screws
to turn arms.



Remove plate.

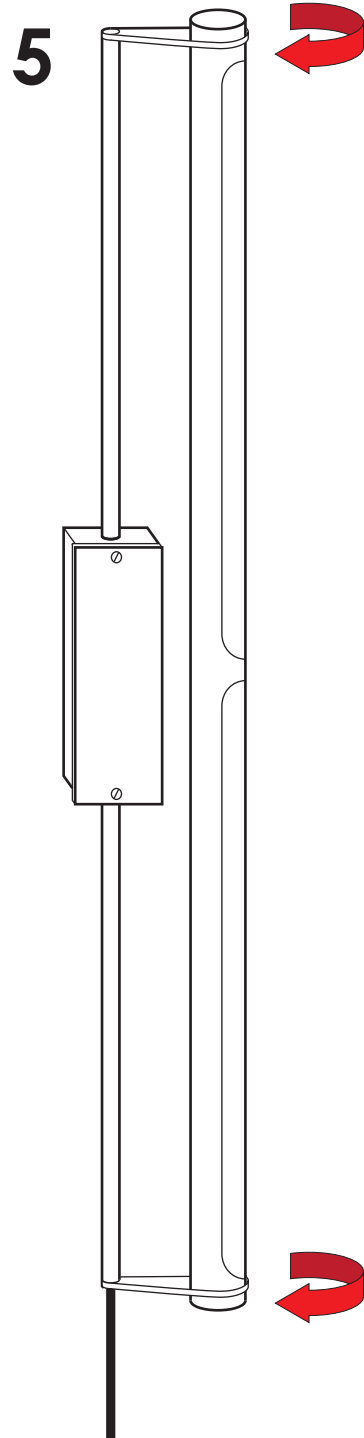
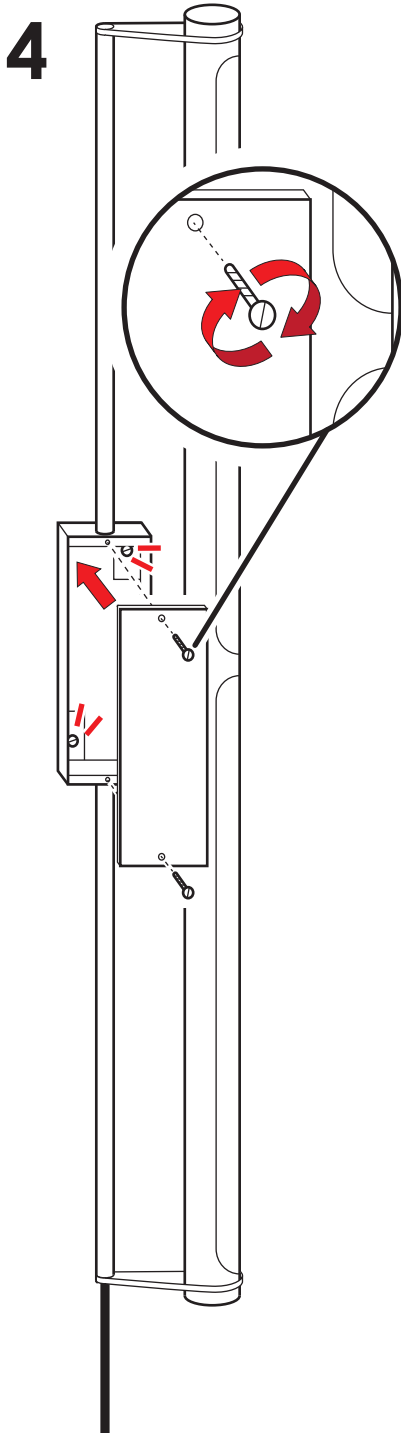
Rubn®

INSTALLATION INSTRUCTION



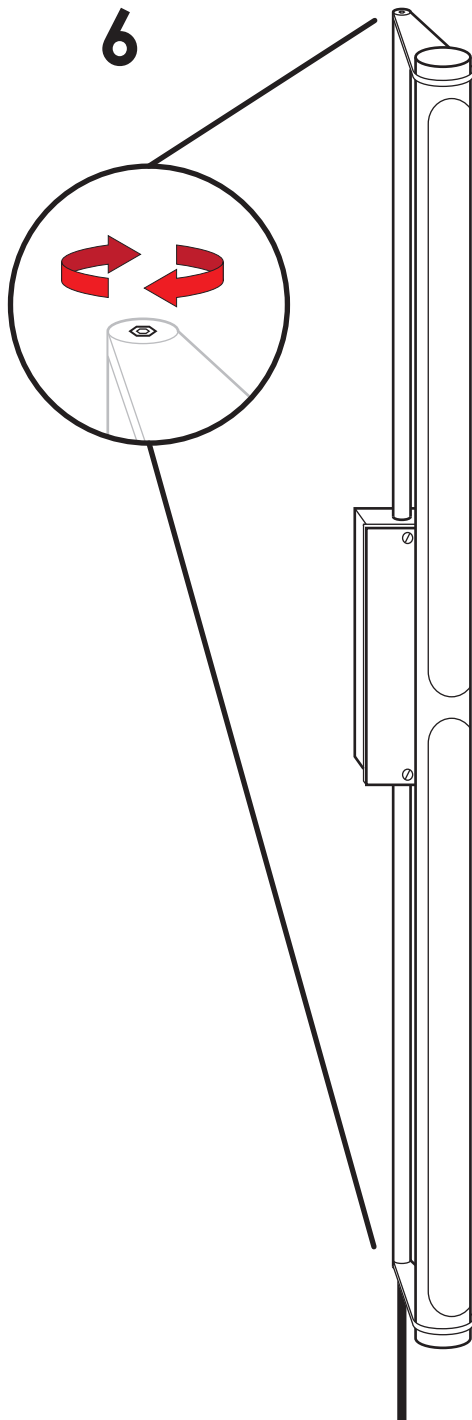
Mount on wall using 2 screws (not included).

INSTALLATION INSTRUCTION

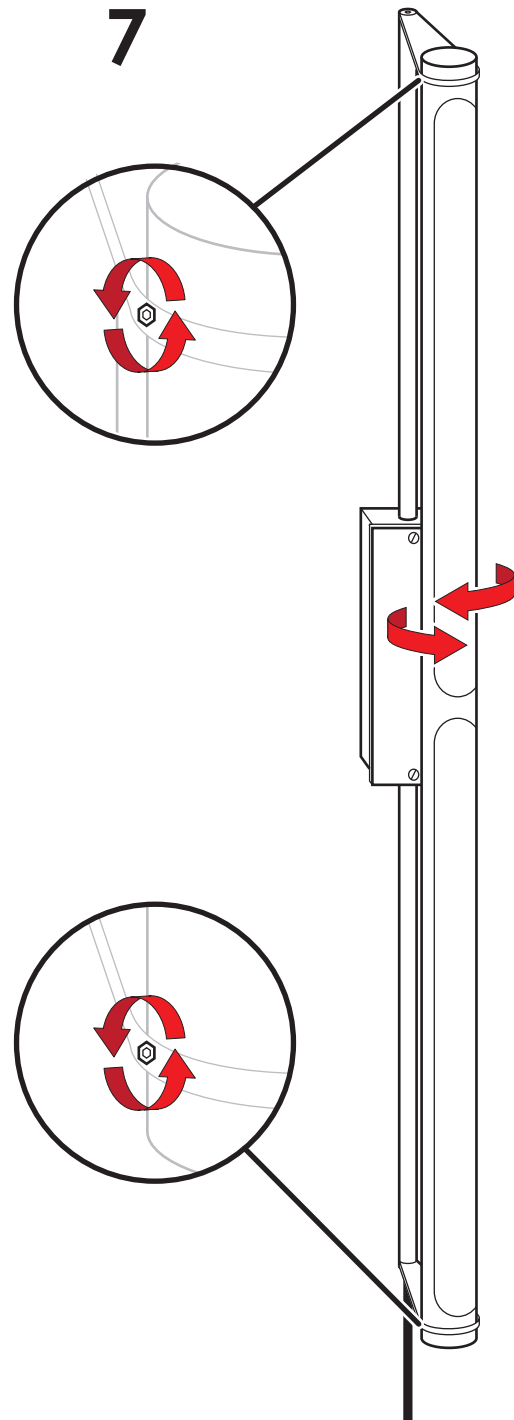


Rubn®

INSTALLATION INSTRUCTION



Tighten screws back to secure arms.



Slightly loosen screws to adjust lamp and light direction by turning.

Rubn®