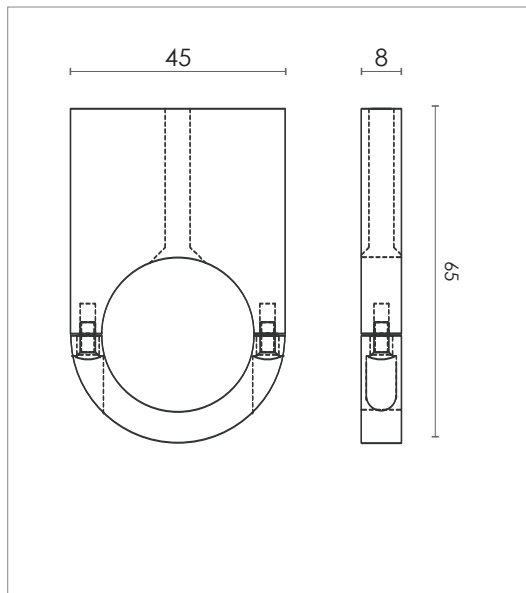


# CEILING / WALL BRACKET

## LONG JOHN / LONG LORD

### DESIGN SPECIFICATIONS

<b>DIMENSIONS (mm)</b>	H 65 x W 45 x D 8
<b>WEIGHT (kg)</b>	0,3
<b>MATERIALS</b>	CLEAR LAQURED STEEL OR POWDER COATED STEEL
<b>CORD (mm)</b>	NO
<b>ENVIRONMENT</b>	INDOOR
<b>DESIGN BY</b>	NICLAS HOFLIN
<b>DESIGN YEAR</b>	2019



### COLOURS



**BLACK**

ART.NO. 470925005



**BRASS**

ART.NO. 470925001



**STEEL**

ART.NO. 470925500



**BRONZE-COLOR**

ART.NO. 470925223

Rubn.