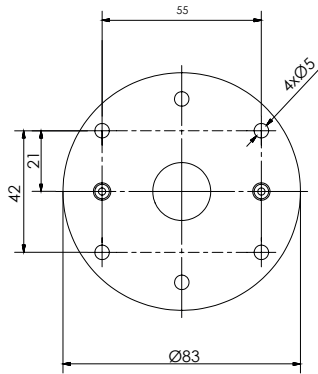


Rubn®

DESIGN NICLAS HOFLIN

— INSTALLATION INSTRUCTION —

JOEY SPOT WITH CUP



1. Attach mounting plate by using 4 screws (not included).
2. Connect the cables accordingly by using included connectors **A** and the earth connection.
3. Attach cup to mounting plate by using 2 screws (included).
4. Push and turn the light source to switch

