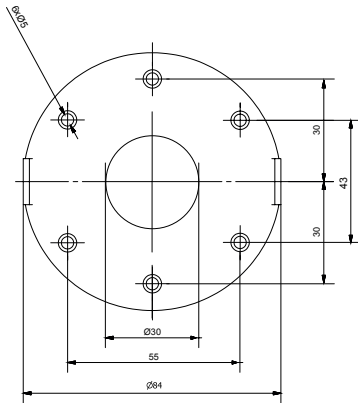


Rubn®

DESIGN NICLAS HOFLIN

— INSTALLATION INSTRUCTION —

VOLUME 2 WALL DIRECT MEDIUM



1. Attach wall plate by using 2 screws (included)
Make sure that the plate is mounted straight.
2. Connect cables from wall socket to the wall cup
3. Attach wall cup to wall plate by using 2 screws (included)

