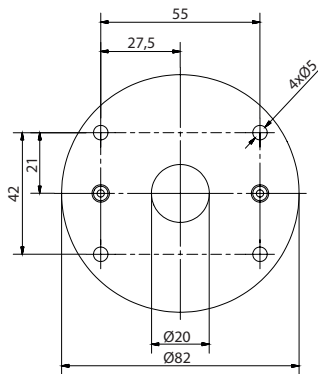


# Rubn®

DESIGN NICLAS HOFLIN

## — INSTALLATION INSTRUCTION —

### MILLER WALL DIRECT



1. Attach wall plate by using 4 screws (included).  
Make sure that the plate is mounted straight.
2. Connect cables from wall socket to the wall cup.
3. Attach wall cup to wall plate by using 2 screws (included).

