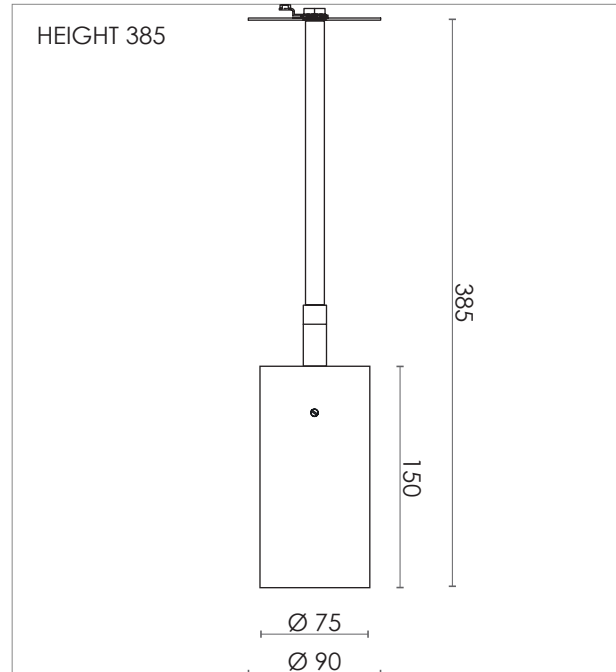
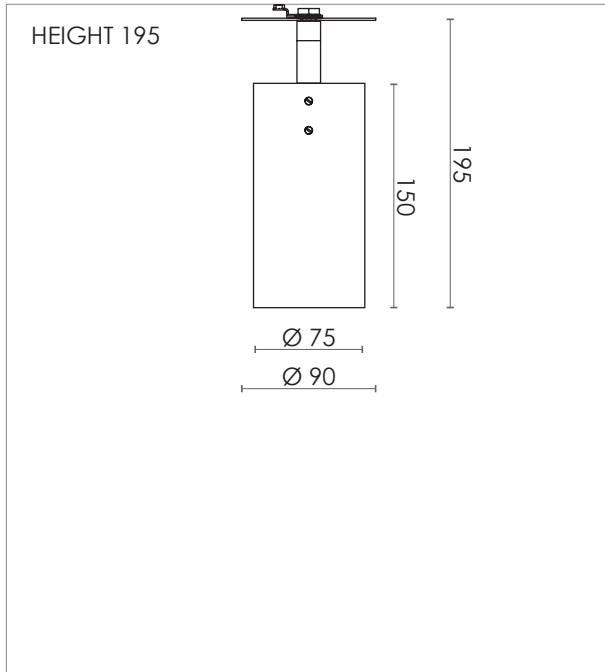


JOEY SPOT WITH PLATE - E27



DESIGN SPECIFICATIONS

DIMENSIONS (mm)

W 90 x H 195 - SHADE Ø 75
W 90 x H 385 - SHADE Ø 57

WEIGHT (kg)

0,45 / 0,5

MATERIALS

THE LAMP IS MADE FROM CLEAR
LACQURED BRASS, STEEL OR POWDER
COATED STEEL

CORD (mm)

NO

ENVIRONMENT

INDOOR

DESIGN BY

NICLAS HOFLIN

DESIGN YEAR

2012

ELECTRICAL SPECIFICATIONS

SWITCH

NO

BULB HOLDER

E27

LIGHT SOURCE

INCLUDED DIMMABLE
PAR22 - 7 W LED
- 2700K

DIMMABLE

YES

MAX (W)

10 W LED

VOLTAGE

230 / 240

CLASS

1

IP

20

COLOURS



BRASS

H 195 ART.NO. 982121001

H 385 ART.NO. 982122001



STEEL

H 195 ART.NO. 982121500

H 385 ART.NO. 982122500



BLACK / BRASS

H 195 ART.NO. 982121005

H 385 ART.NO. 982122005



WHITE / BRASS

H 195 ART.NO. 982121002

H 385 ART.NO. 982122002



**BRONZE COLORED /
BRASS**

H 195 ART.NO. 982121223

H 385 ART.NO. 982122223