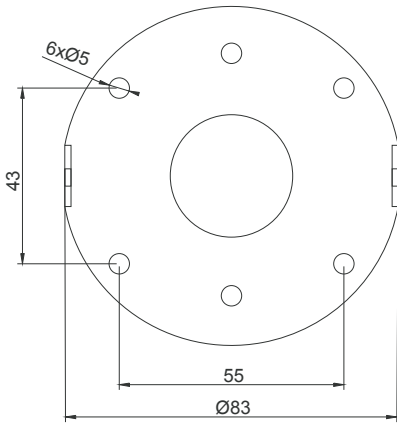


# ASSEMBLY GUIDE

GRACE CEILING / WALL DIRECT



1. Attach plate to the ceiling or wall by using 4 screws (not included)
2. Connect the cables accordingly by using included connectors **A** and the earth connection
3. Place the cup over the plate at the ceiling and tighten the screws.

