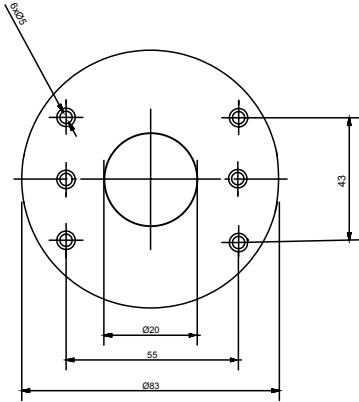


ASSEMBLY GUIDE

HUNTER OUTDOOR GOOSENECK



1. Attach wall plate by using 2 screws (included)
Make sure that the plate is mounted straight.
2. Connect cables from wall socket to the wall cup by using IP44 connection box A.
3. Attach wall cup to wall plate by using 2 screws (included)
4. Place the rubber seal on top of the light source and tighten it to the fixture.

